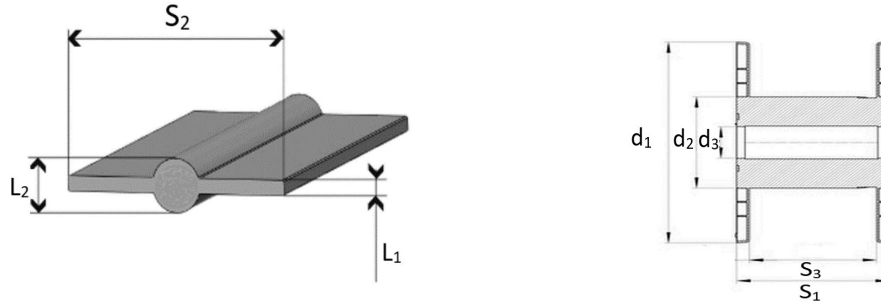


Twisting tape Twistband NO WIRE
210ST900 TWISTBAND SIN ALAMBRE TIEFIX BOBINA



No	Parameter	Symbol	Unit	Tolerance	Dimensions
3	Length of the tape in a roll		m	± 1	900
4	Width of tape	S2	mm	± 0,1	3,2
5	Thickness of the tape	L1	mm	± 0,05	0,2
6	Coating thickness on the wire	L2	mm	± 0,1	1
8	Plastic				PET
9	Reel				Cardboard/PP
10	Pigment				LDPE pigment
12	Weight composition		kg		1,62 (100%)
14	Reel outer diameter	d1	mm	-	209
15	Side hole diameter	d2	mm	-	78
16	Reel inside diameter	d3	mm	-	28
17	Reel width	S1	mm	-	92
18	Beam width	S3	mm	-	83
19	Gross weight of a reel		kg	± 0,2	1,83
38	Method of packaging				5 reels in a carton; 42 boxes on a EURO pallet

Documentation		
No	Name	Scope
1	QUALITY SYSTEM	Manufacturer's statement
2	Declaration of Conformity with Regulation (EC) 1935/2004	Food contact
3	Declaration RoHS	Free from environmentally hazardous substances
4	Declaration REACH	Compliance with the European REACH regulation No. 1907/2006

Storage, operation, transport

It is recommended to store in original packages, on pallets, paying attention to the flatness of the storage surface. It is forbidden to stack pallets, which may lead to deformation and permanent destruction of the product. It is necessary to store in a roofed room. It is recommended not to expose the product to rapid changes in temperature, sunlight and air humidity. Recommended storage temperature between 10°C and 25°C. It is recommended to pay attention when handling the rollers in order to avoid scratching the surface, deformation of the tape and uncontrolled unrolling.

Expiration date: 6 months from the date of purchase.



www.rozagrapi.com

López de Hoyos, 249 28043 Madrid
Ana María, 43 33209 Gijón (Asturias)

TI +34 914166614 +34 914167626 F +34 915193075
TI +34 985162833 F +34 985146622

email comercial@rozagrapi.com
email asturias@rozagrapi.com