

Bespoke Specials

Hafren Fasteners are able to offer a bespoke made to measure range of security fasteners. Our expert sales team are able to assist with every type of security application from design stage to final installation, including on-site testing. We can advise you in choosing the best security fastener for your application and can also help in designing something totally unique.

With all types of specials, minimum order quantities apply depending on your size and material requirements. We have listed some available thread types, materials and finishes, but you may be looking for something totally different and unique. If so, send us drawings and samples and we'll get you a quote.

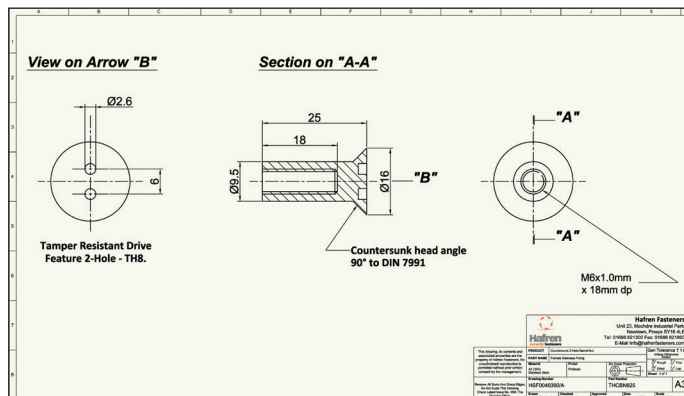
All bespoke specials are subject to minimum quantities and varying lead times.



Advice



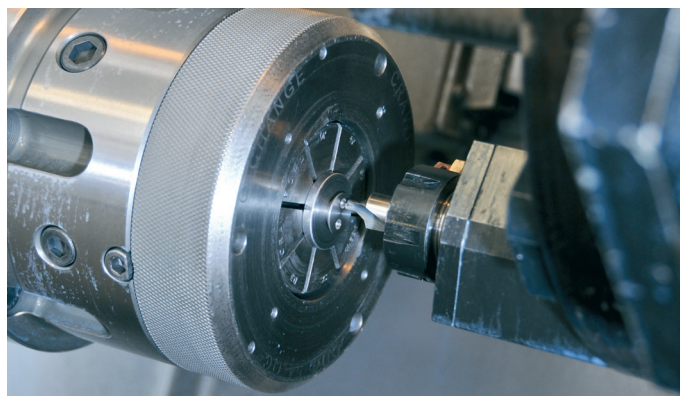
Design



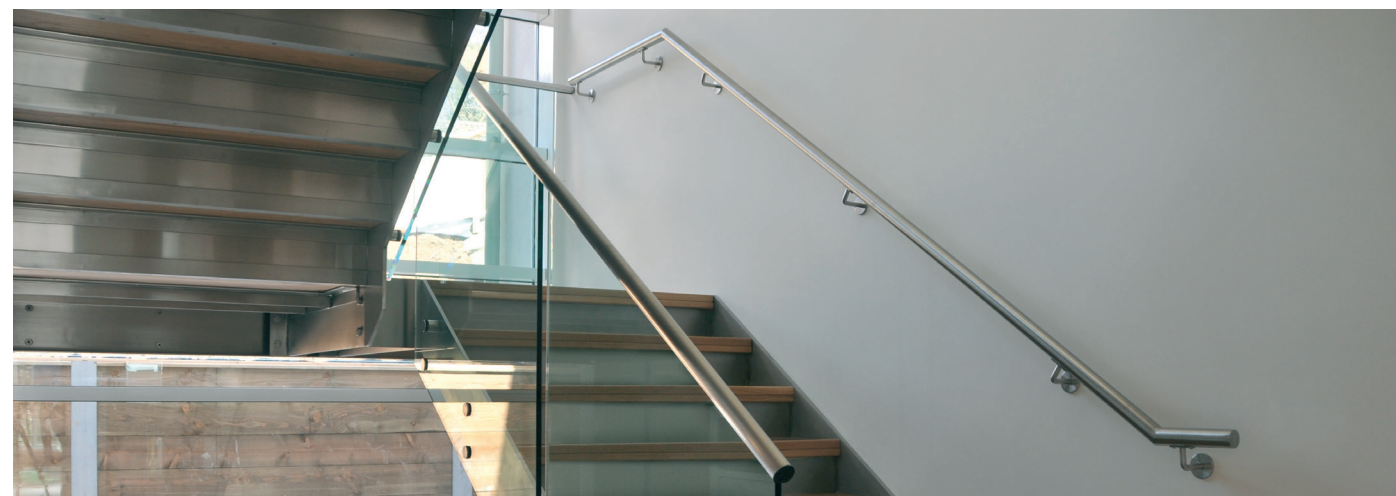
Installation



Manufacture



Safe and Secure ...



BESPOKE SCREWS



Some available Thread Types

- Self Tapping Screws
 - AB Type
 - B Type
- Machine Screws
 - Metric
 - Imperial
 - British Standard
- Woodscrews
 - Single Thread
 - Twinthread
 - Hi-Lo Thread
- Self Drilling Screws
- Thread Forming Screws
 - Tri-Lobal
 - Paint Clearing
 - Plastic Forming
- Concrete Tapping Screws
- Dog-Point Screws

Other types available - please enquire

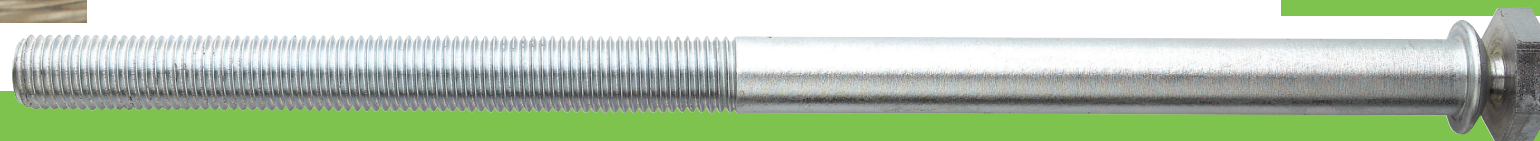
Call

01686 621 300

for our expert sales team or Email us at:

info@hafrenfasteners.com

with the number of the bespoke fixing you are interested in.

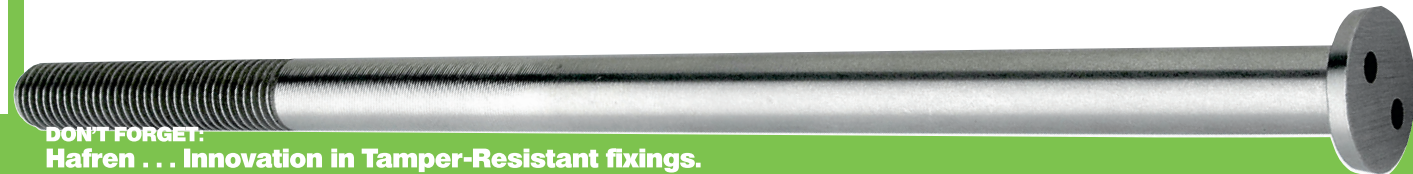




BESPOKE SCREWS



BESPOKE LARGE DISC HEAD ■ BESPOKE MALE & FEMALE SCREWS ■ BESPOKE BARREL NUTS



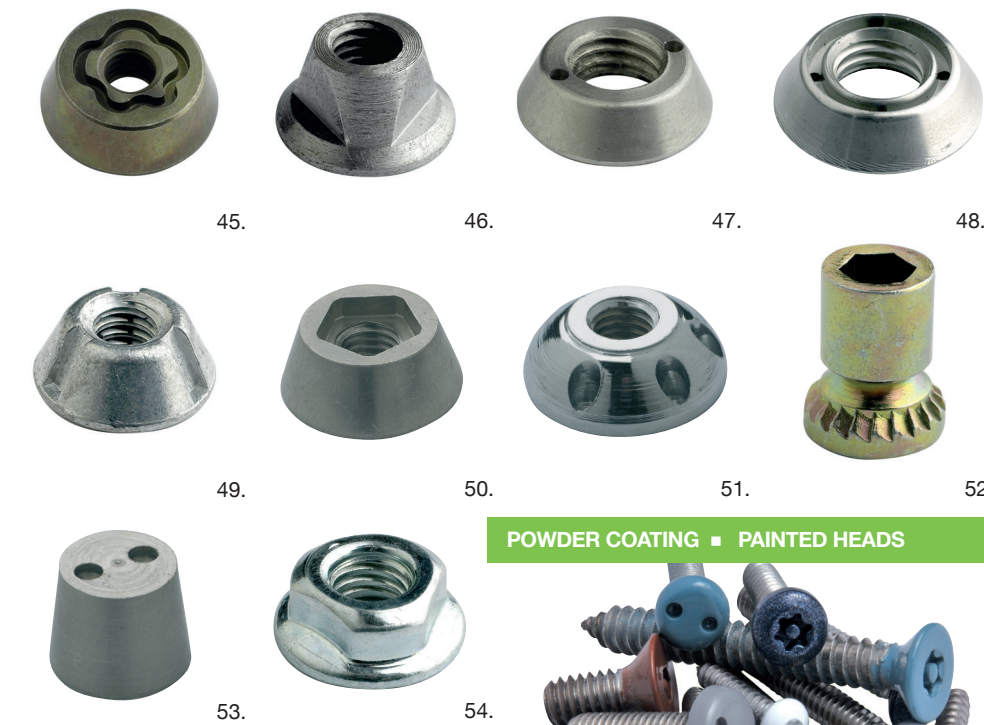
DON'T FORGET:
Hafren . . . Innovation in Tamper-Resistant fixings.



BESPOKE GRUB SCREWS ■ THREAD SEALANTS & LOCKING PATCHES



BESPOKE NUTS



POWDER COATING ■ PAINTED HEADS



Some available Materials and Finishes:

- Materials
 - A2 Stainless Steel
 - A4 Stainless Steel
 - 410 Stainless Steel
 - Carbon Steel
 - Aluminium
 - Brass
- Finishes
 - Polished
 - Brushed
 - Bright Zinc Plated
 - Zinc & Yellow
 - Chrome Plated
 - Galvanised
 - Black Passivated
 - Brass Plated
 - Nickel Plated
 - Copper Plated
 - Painted Heads
 - Powder Coated
 - Thread Patching
 - Thread Lubrication
 - Thread Locking

Other types available - please enquire

Call
01686 621 300

for our expert sales team or Email us at:
info@hafrenfasteners.com
with the number of the bespoke fixing you are interested in.