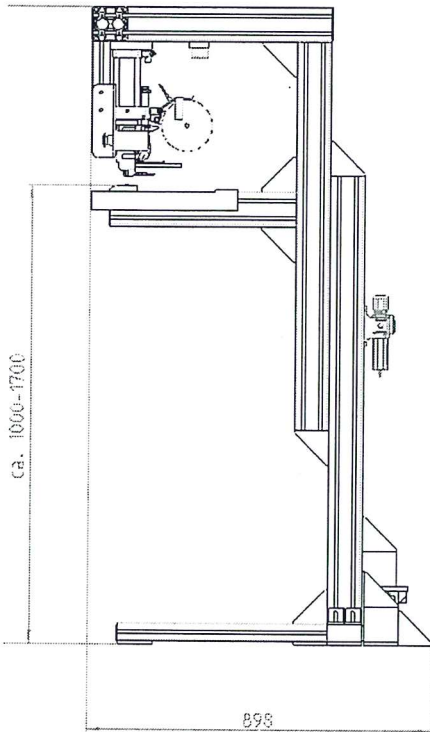




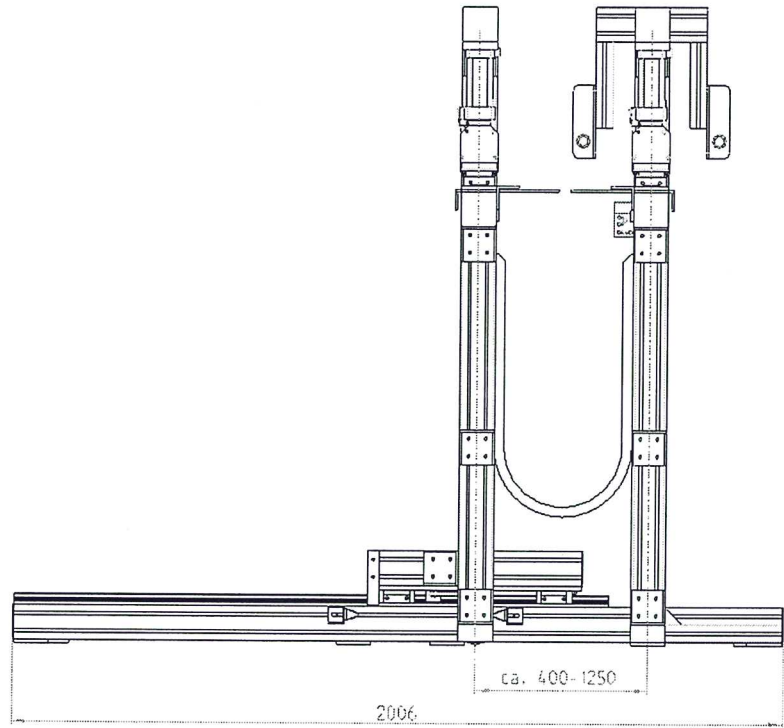
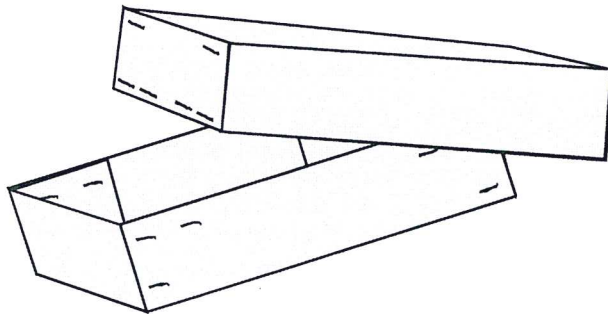
OPERATING INSTRUCTIONS
Stapling device
SGR2 /QE SGR2 / LE

Page: 7
 Version: 10-2015
 ET 565

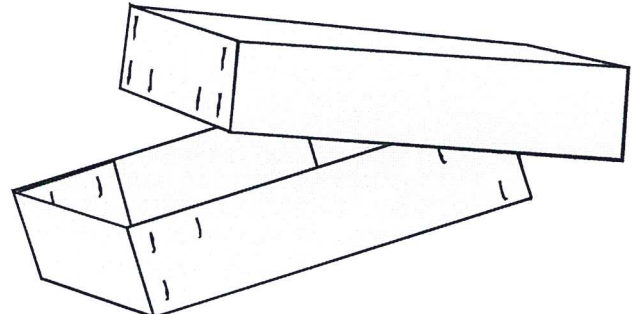
7 Technical data/versions



SGR/LE/ for longitudinal stapling—
 Stapling head mounted, rotated 90°



SGR/QE/ for traverse stapling



Technical Data:	SGR/QE and SGR/LE
Air consumption:	1,7 NL / Per stapling per head
Air pressure:	4 - 6 bar pressure
Speed:	max.: 40 staples per minute
On-floor space: B x T	2500 x 800 mm
Total amount height:	approx. 1750 mm, opt. 1850 mm
Weight:	approx. 140 Kilo
Anvilheight	approx. 1000 - 1700 mm (more on request)
Slide-in unit depth	approx. 400 mm
Adjustment range:	approx. 400-1250 mm
Stapling distance from the edge:	45 mm
Stapling distance from the edge:	approx. 45 – 160 mm