

Main Features

- **Various Applications**

Suitable for corrugated cardboards, concrete blocks, and pallet loaded with cardboard boxes containing any type of products.

- **Mobility**

With light weight and compact size, it is easy to move the machine beside the pallet you want to strap.

- **Good for Lower Height Pallet**

Enable to strap pallet with height as low as 280 mm.

- **Easy Strap Feeding**

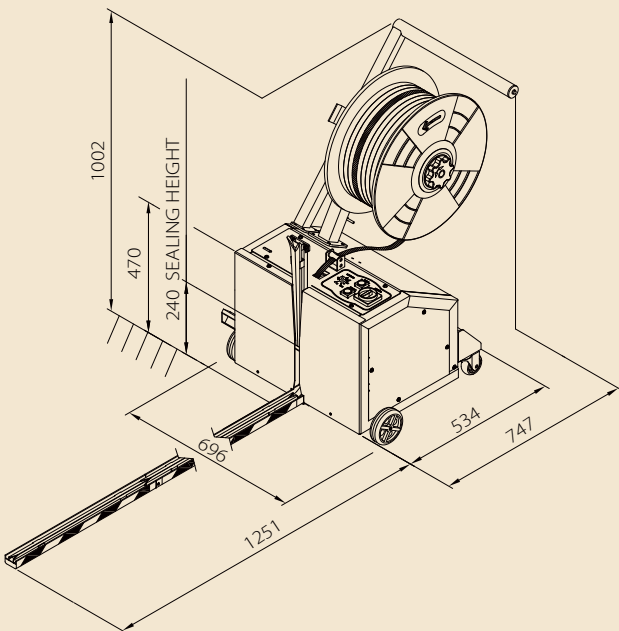
Handle with feeding switch, convenient for users to feed the strap to the required length. User friendly.

- **Weld-Cooling Timer**

The weld cooling time can be increased to insure high joint efficiency under high tension.

Option

- Battery power supply (TP-202MVB)



TP-202MV Technical Data

Strap Type	P.P. strap
Strap Width	9 mm-15.5 mm
Strap Tension	15 kg-55 kg
Net Weight	90 kg
Electrical Requirement	110V, 220V, 230V 50/60Hz 1PH

Mini Verti

Unigrap

ROZA-CRAPI,SA

San Vicente Mártir, 20 28043 MADRID Tl +34 914166614 Fax +34 915193075
Ana María, 47 33209 GIJÓN Tl +34 985162833 Fax +34 985146622

WWW.ROZAGRAPISA.COM

Semi-Auto Pallet Strapping
Machine for Vertical Strapping
Applications

TP-202MV

The Mini-Verti TP-202MV mobile pallet strapping machine eliminates the use of manual tools and dispenser. It can be easily moved beside the load you want to strap, no need to move the stacked pallet. The TP-202MV provides ergonomic and cost-effective solutions for low volume vertical pallet strapping applications.

ROZA-CRAPI,SA

