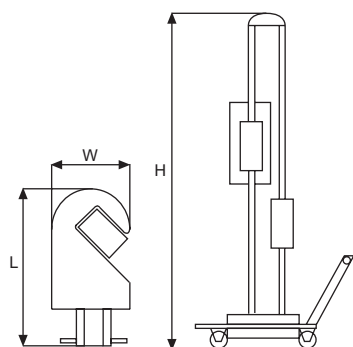
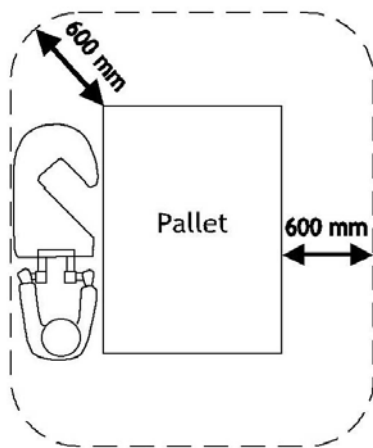
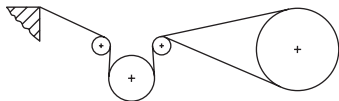


FRICTION ROLLER



MODELS	max useful pallet height	H (mm)	L (mm)	W (mm)	weight	autonomy	max diameter film coil	core types of film coil
WRAPMAN Sth 2.0	2.0	2110	1015	570	114 kg	90 pallet	180 mm	50-76 mm
WRAPMAN Sth 2.4	2.4	2472	1015	570	116 kg	90 pallet	180 mm	50-76 mm