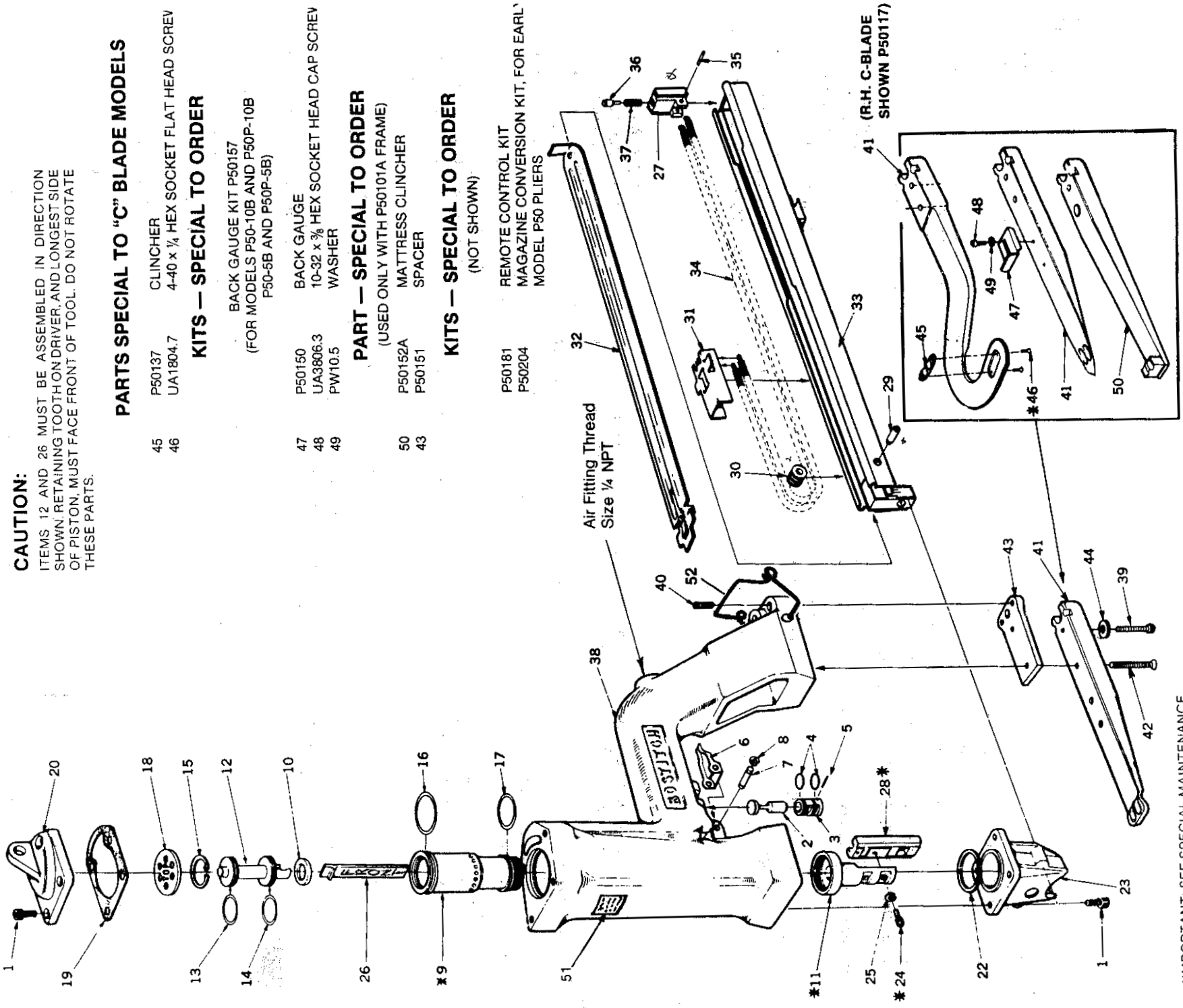


# P50

## CAUTION:

ITEMS 12 AND 26 MUST BE ASSEMBLED IN DIRECTION SHOWN, RETAINING TOOTHON DRIVER, AND LONGEST SIDE OF PISTON, MUST FACE FRONT OF TOOL, DO NOT ROTATE THESE PARTS.



### PARTS SPECIAL TO "C" BLADE MODELS

45	P50137	CLINCHER
46	UA1804.7	4-40 x 1/4 HEX SOCKET FLAT HEAD SCREW

### KITS — SPECIAL TO ORDER

BACK GAUGE KIT P50157  
(FOR MODELS P50-10B AND P50P-10B  
P50-5B AND P50P-5B)

47	P50150	BACK GAUGE
48	UA3806.3	10-32 x 3/8 HEX SOCKET HEAD CAP SCREW
49	PW10.5	WASHER

### PART — SPECIAL TO ORDER

(USED ONLY WITH P50101A FRAME)

50	P50152A	MATRRESS CLINCHER
43	P50151	SPACER

### KITS — SPECIAL TO ORDER

(NOT SHOWN)

REMOTE CONTROL KIT  
MAGAZINE CONVERSION KIT, FOR EARL'  
MODEL P50 PLIERS

P50181	REMOTE CONTROL KIT
P50204	MAGAZINE CONVERSION KIT, FOR EARL' MODEL P50 PLIERS

\*IMPORTANT: SEE SPECIAL MAINTENANCE INSTRUCTIONS, PAGE 6

• NOTE: FOR SB103020% STAPLES USE P50191 SHUTTLE

# P50

ITEM NO.	PART NO.	DESCRIPTION
1	UA3808.1	10-32 x 1/2 Hex Socket Head Cap Screw
2	P50115A	Stem
3	P50114	Barrel
4	86458	O-Ring
5	UB2112.2	Roll Pin 3/32 Diameter x 3/4
6	P50119	Trigger
7	P50129	Pin
8	85018	E-Ring
9	P50196	Shuttle Piston
10	P50108	Driver Piston Bumper
11	P50104	Sleeve
12	P50118	Driver Piston
13	87112	O-Ring
14	87137	O-Ring
15	87115	Internal Snap Ring
16	87113	O-Ring
17	850682	O-Ring
18	P50106	Piston Head Bumper
19	P50120	Gasket
20	P50102	Cap
22	P50107	Shuttle Piston Bumper
23	P50105	Guide
24	UA3804.6	10-32 x 1/4 Hex Socket Head Cap Screw
25	SW10E	#10 Lock Washer
27	P50167	Lock Pin Block
29	P50169	Spring Roll Pin
30	P50168	Spring Roll
31	P50172	Pusher
32	P50171A	Top Guide Assembly
34	P50177	Feed Spring
35	P50175	Feed Spring Pin
36	P50173	Lock Pin
37	P50174	Lock Pin Spring
51	851246	Warning Label
52	P50197	Spring, Magazine
53	P50210	Label, Caution-P50

## VARIABLE PARTS

MODEL NUMBER	ITEM NUMBER AND DESCRIPTION												
	26	28	33	38	39	40	41	42	43	44			
P50-10B	P50121	P50186	P50201A	P50101A	UA4824.2	UA4816.12	P50116A	UA5824.5	P50151	WASHER			
P50P-10B	"	"	"	"	UA4820.1	"	P50148A	UA5820.8	P50155	LW14			
P50CL-10B	"	"	100248	P50179A	UA4816.1	UA4808.4	P50138	UA5816.7	"	LW14			
P50CR-10B	"	"	"	"	"	"	P50117	"	"	"			
P50-5B	P50187	P50188	P50203A	P50101A	UA4824.2	UA4816.12	P50116A	UA5824.5	P50151	LW14			
P50P-5B	"	"	"	"	UA4820.1	"	P50148A	UA5820.8	P50155	LW14			
P50CL-5B	"	"	"	P50179A	UA4816.1	UA4808.4	P50138	UA5816.7	"	"			
P50CR-5B	"	103507-3/8	"	"	"	"	P50117	"	"	"			
P50-10C	P50121	P50191	P50202A	P50101A	UA4824.2	UA4816.12	P50116A	UA5824.5	P50151	LW14			

• NOTE: FOR SB 103020%, STAPLES USE P50191 SHUTTLE